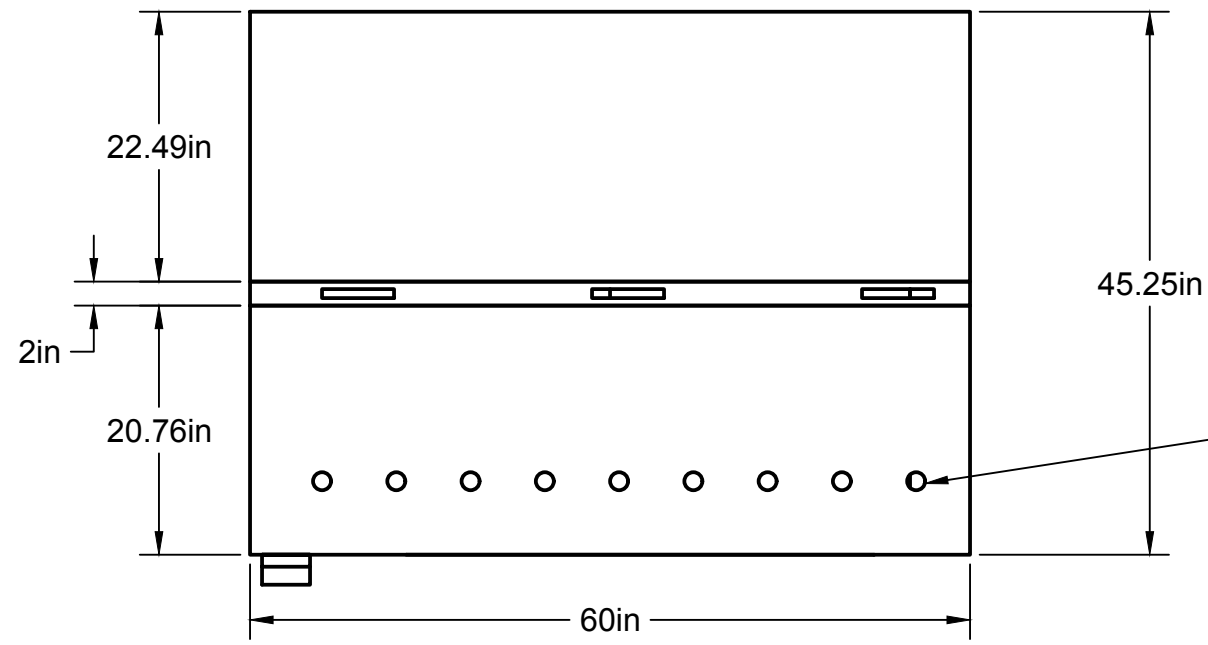


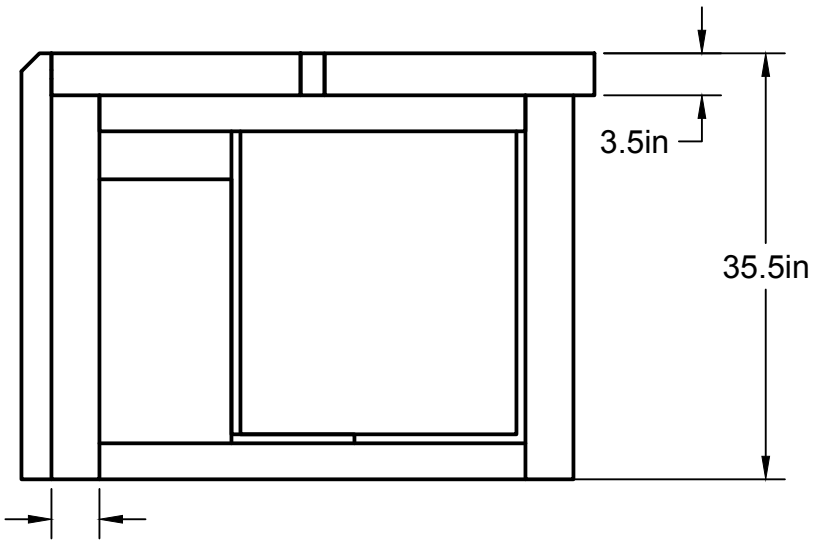
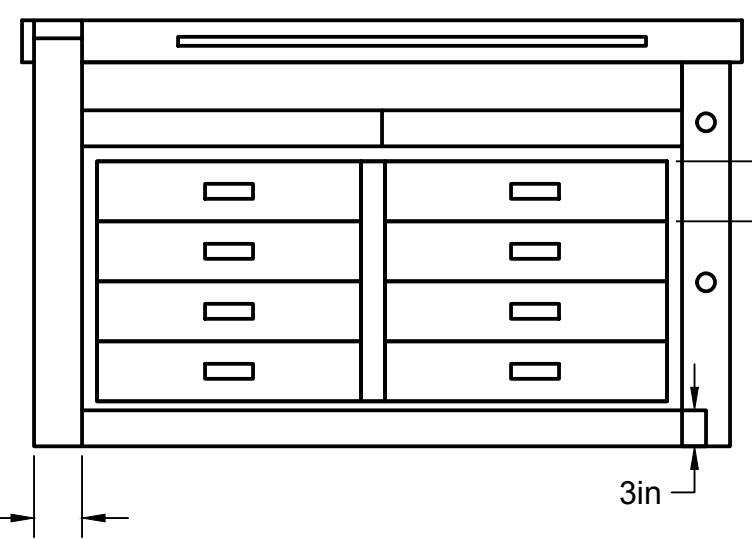
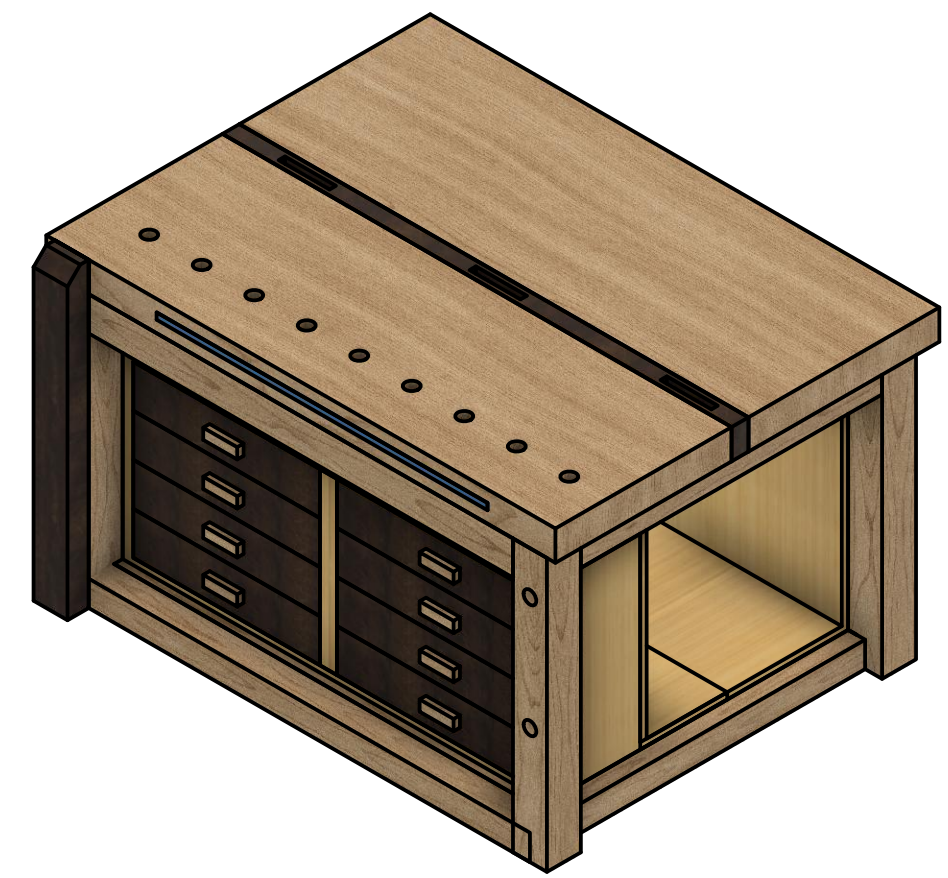
# Outfeed Table

## *Shop Drawings*



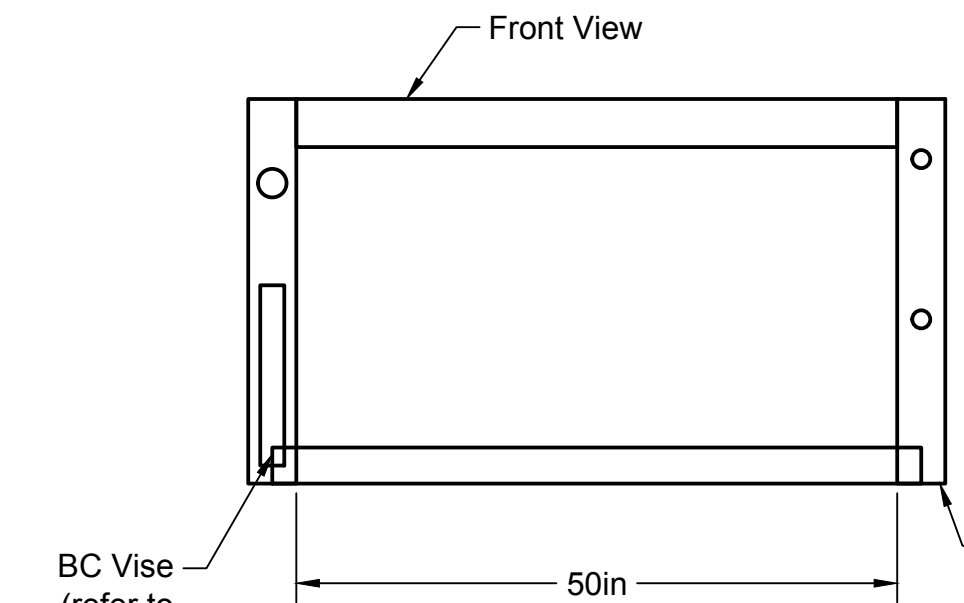
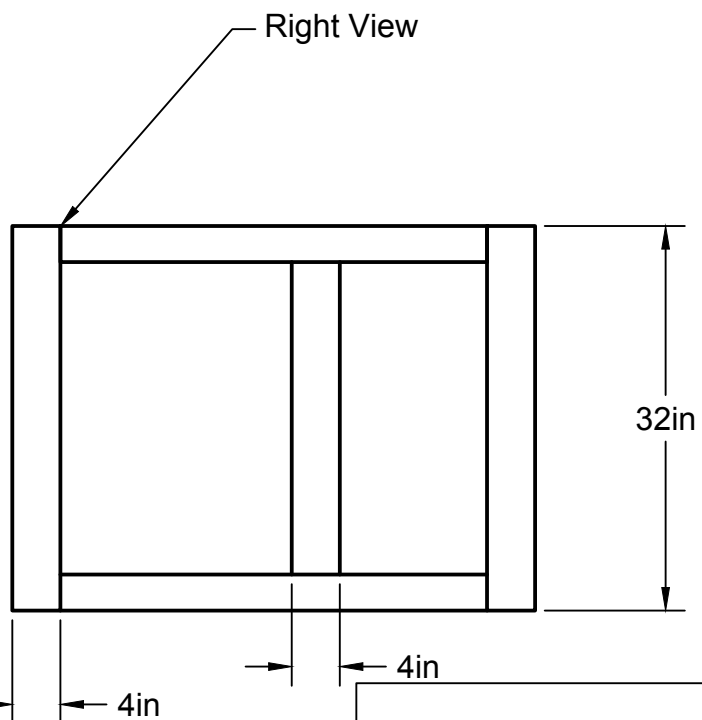
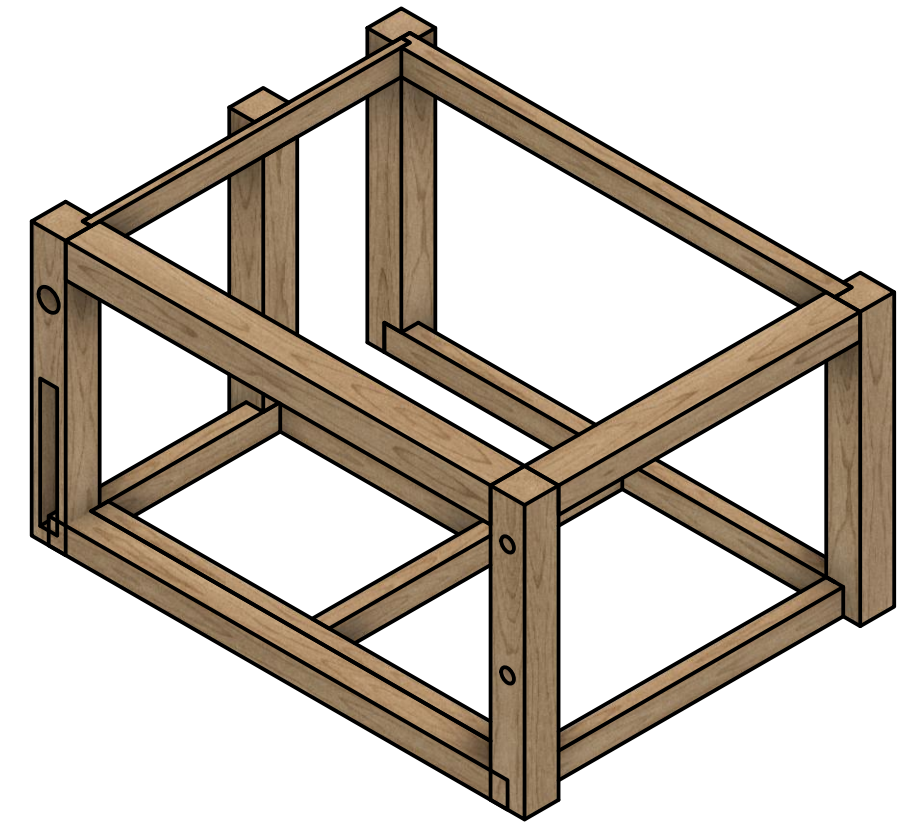
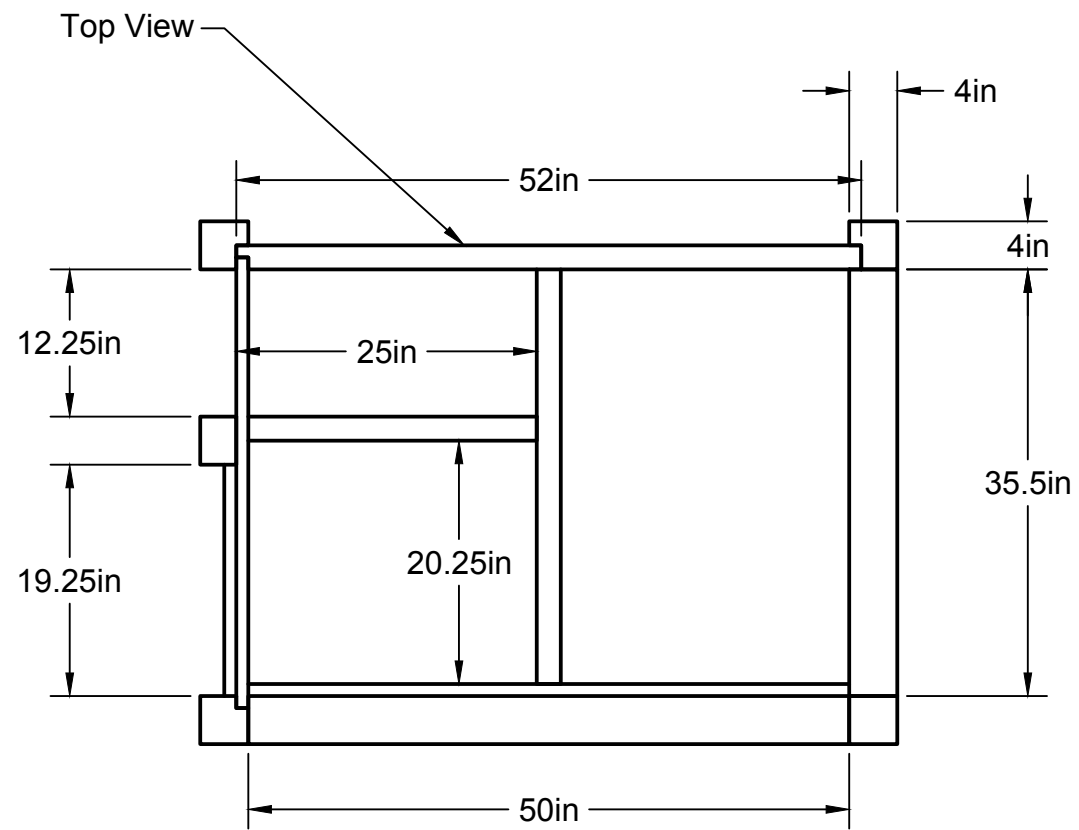


HNT Gordon tail vise  
(refer to directions)

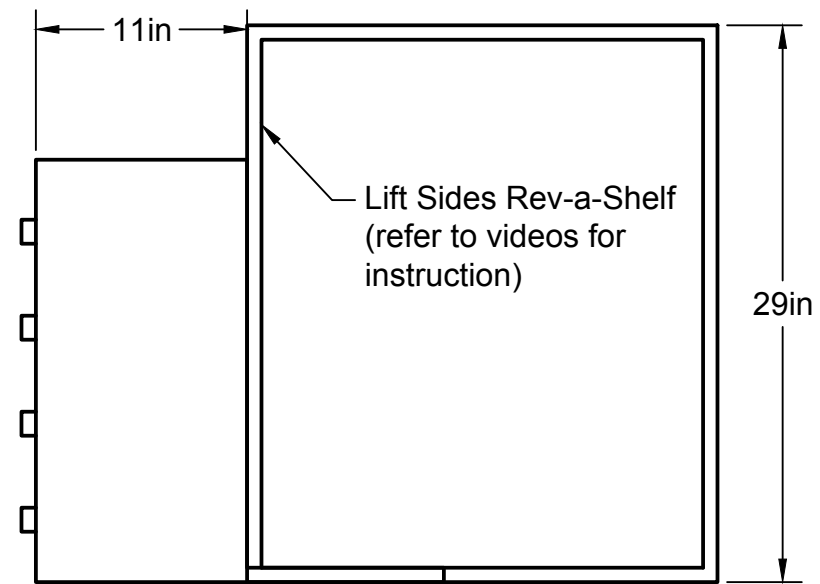
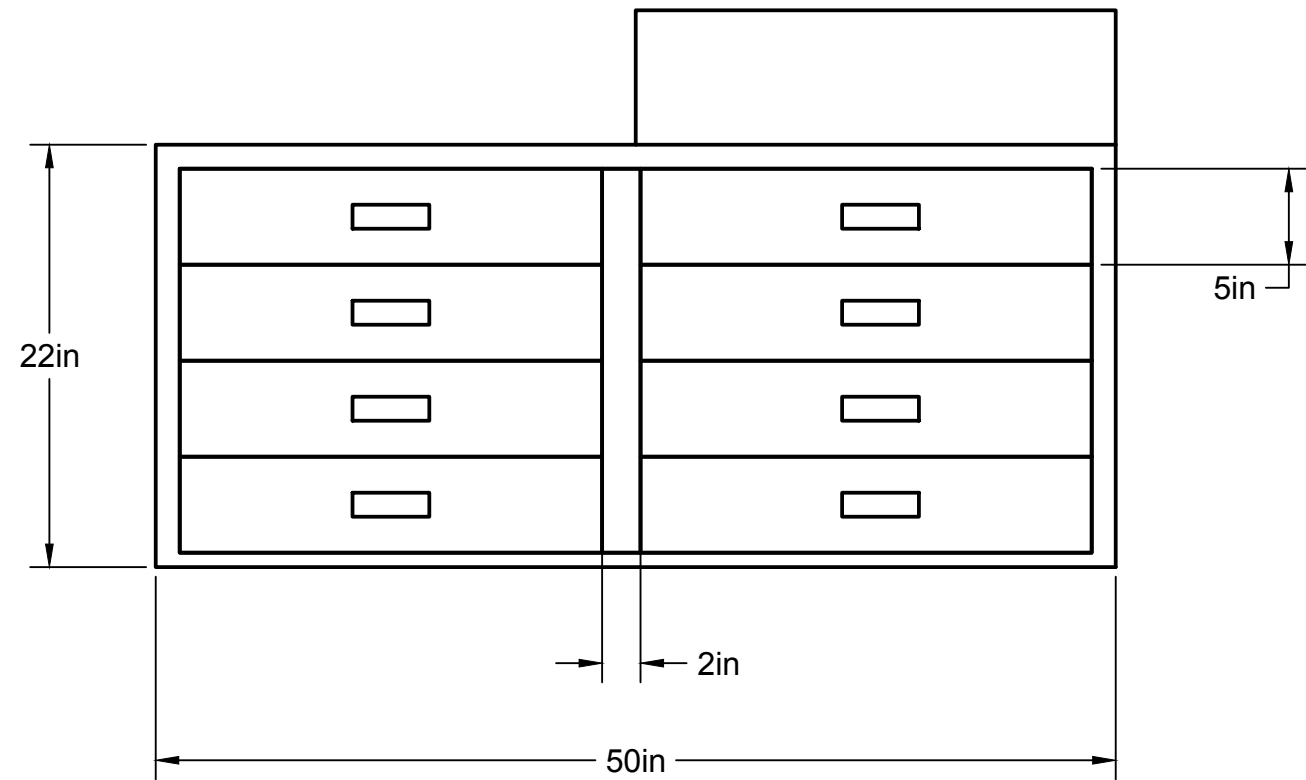
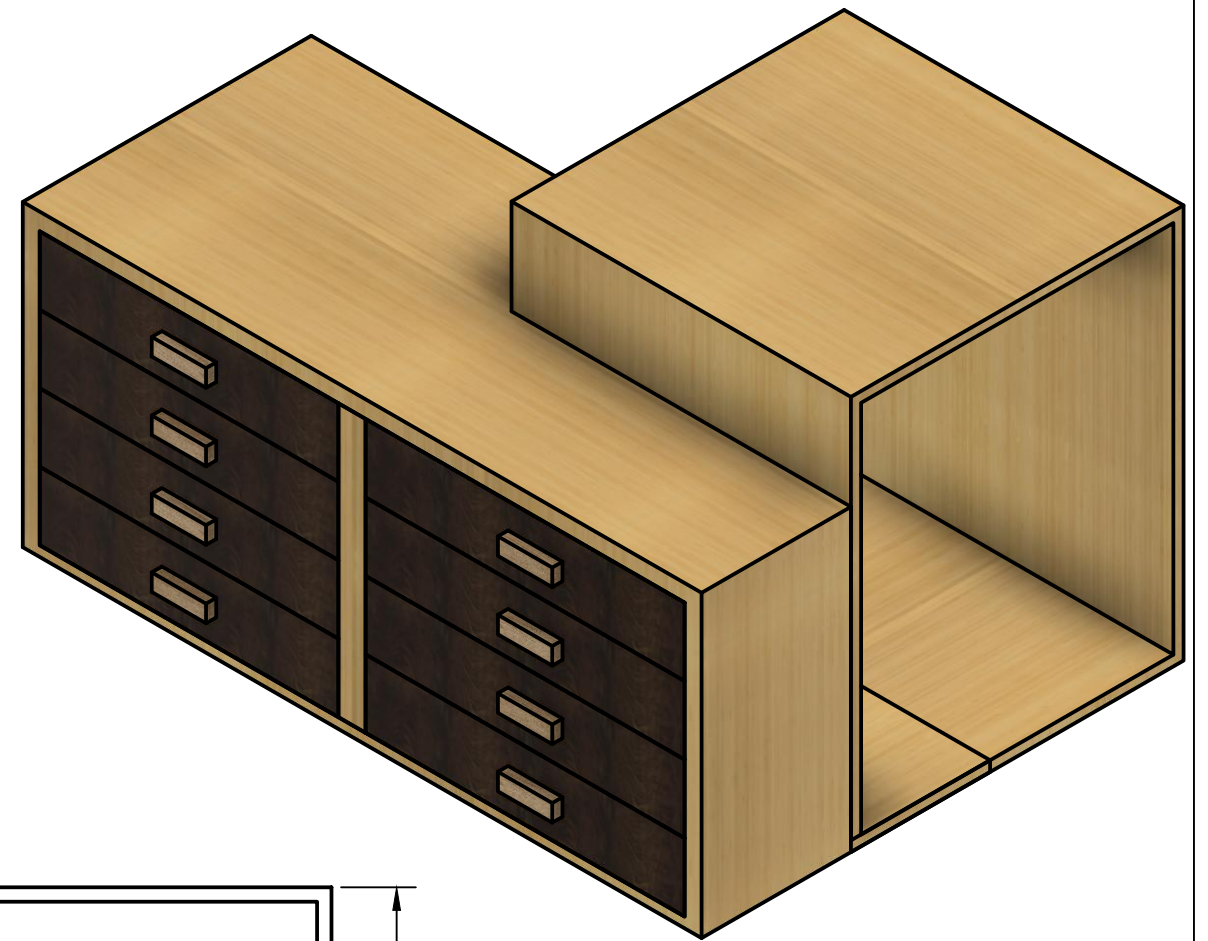
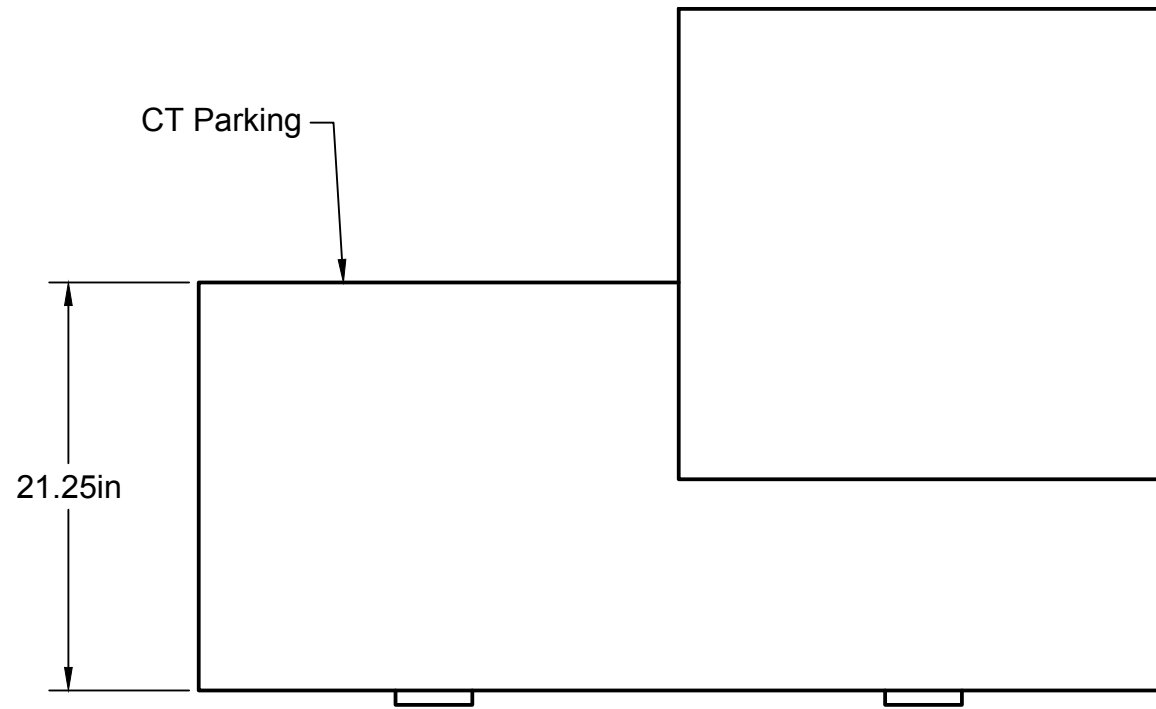


PROJECT		Outfeed Table		
TITLE		Outfeed Table		
APPROVED	SIZE	CODE	DWG NO	REV
CHECKED	B			
DRAWN	Mel Morris	9/25/18	SCALE 1:10	WEIGHT
				SHEET 1/1





PROJECT		Outfeed Table		
TITLE		Outfeed Table		
APPROVED	SIZE	CODE	DWG NO	REV
CHECKED	B			
DRAWN	Mel Morris	9/25/18	SCALE 1:16	WEIGHT
			SHEET 1/1	



		PROJECT			
		<b>Outfeed Table</b>			
		TITLE			
		<b>Outfeed Table</b>			
APPROVED	SIZE	CODE	DWG NO	REV	
CHECKED	B				
DRAWN	Mel Morris	9/25/18	SCALE 1:10	WEIGHT	
			SHEET 1/1		