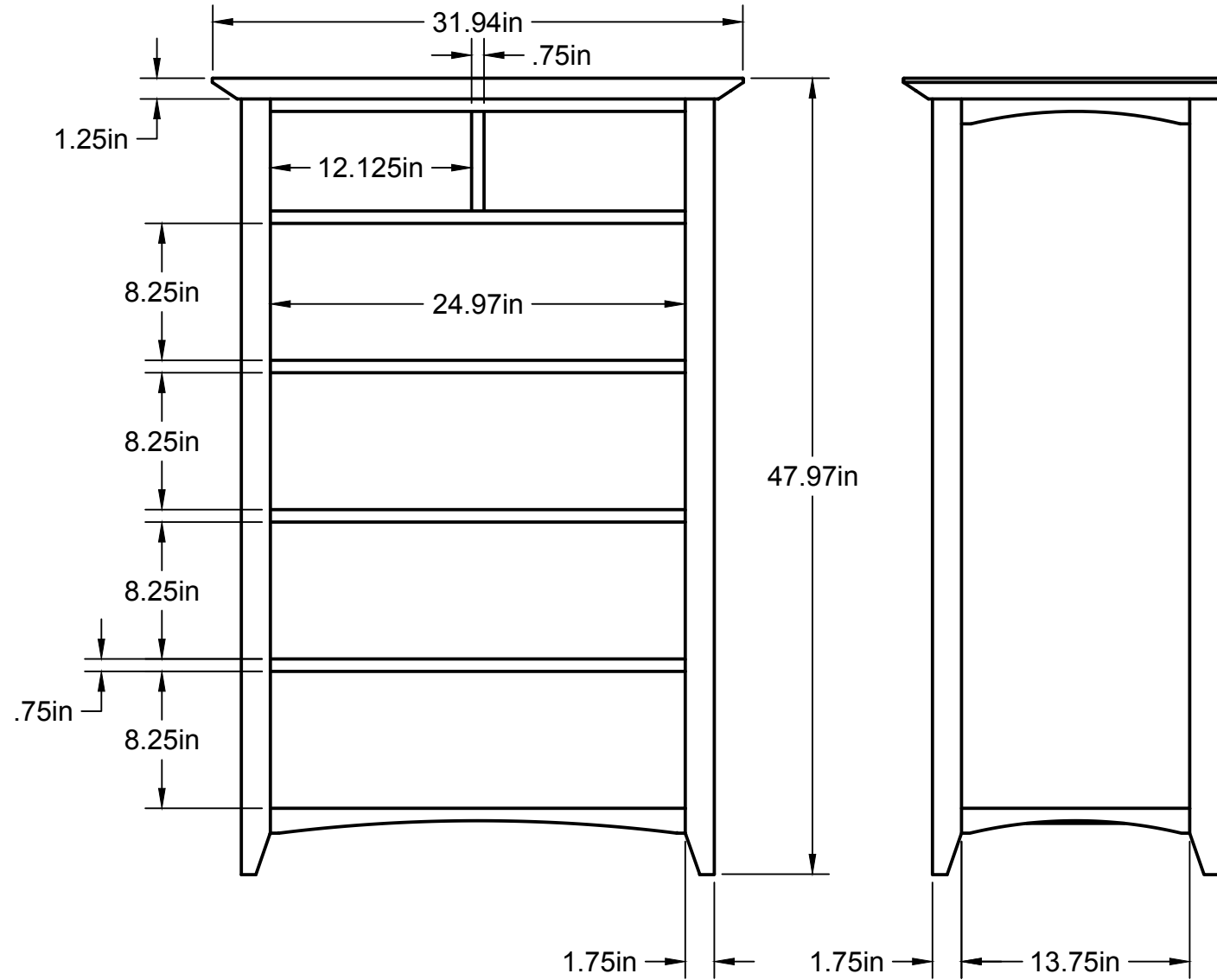
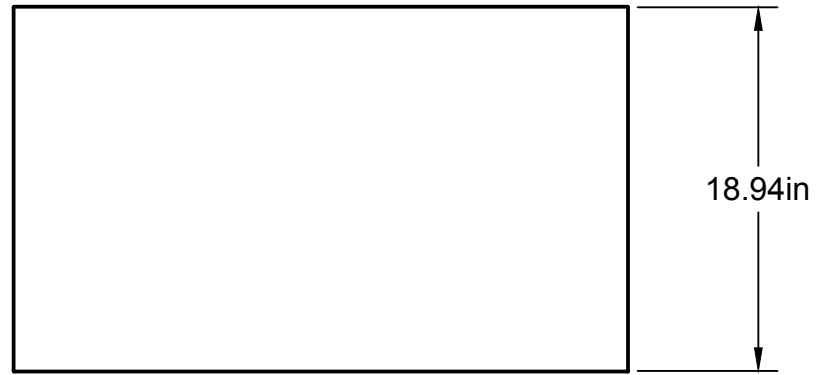


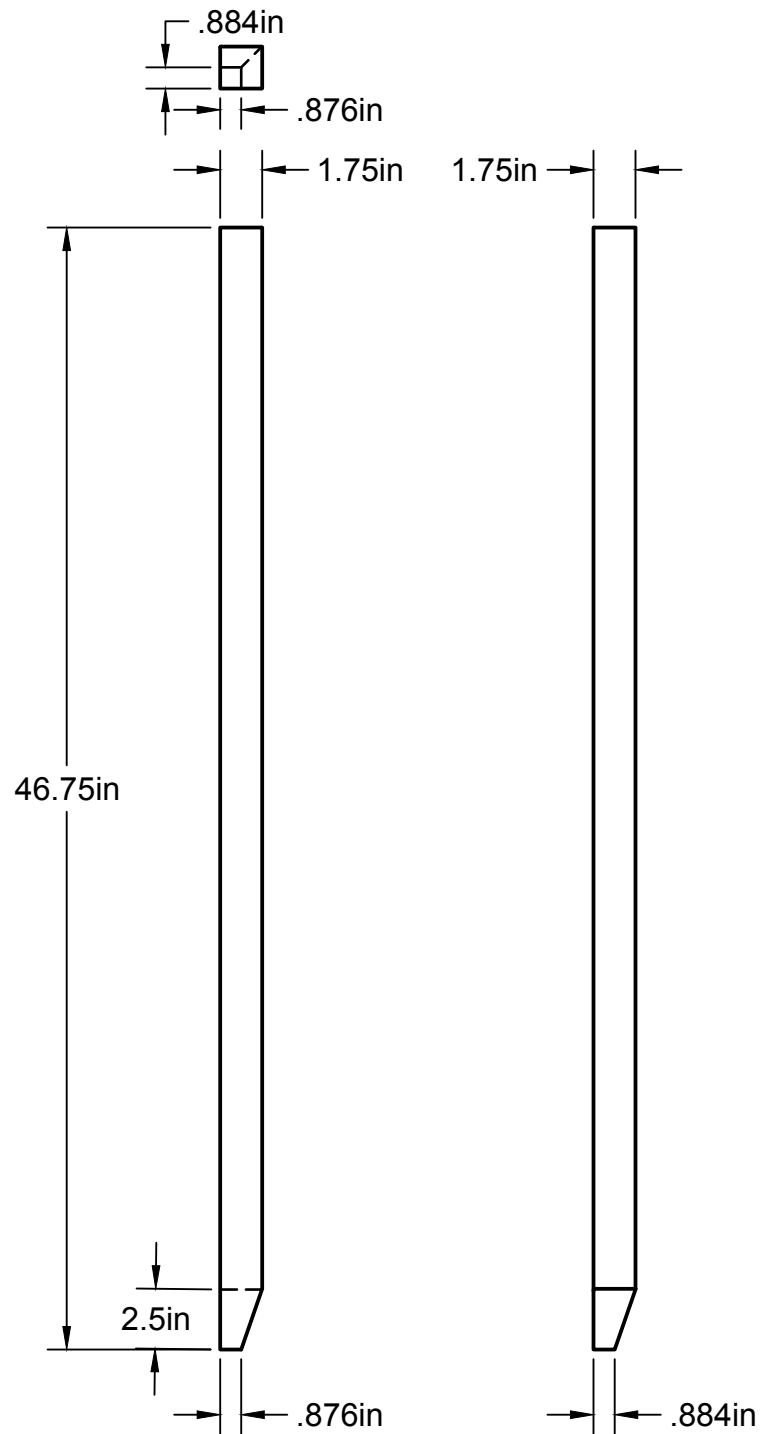
# Chest of Drawers

## *Shop Drawings*

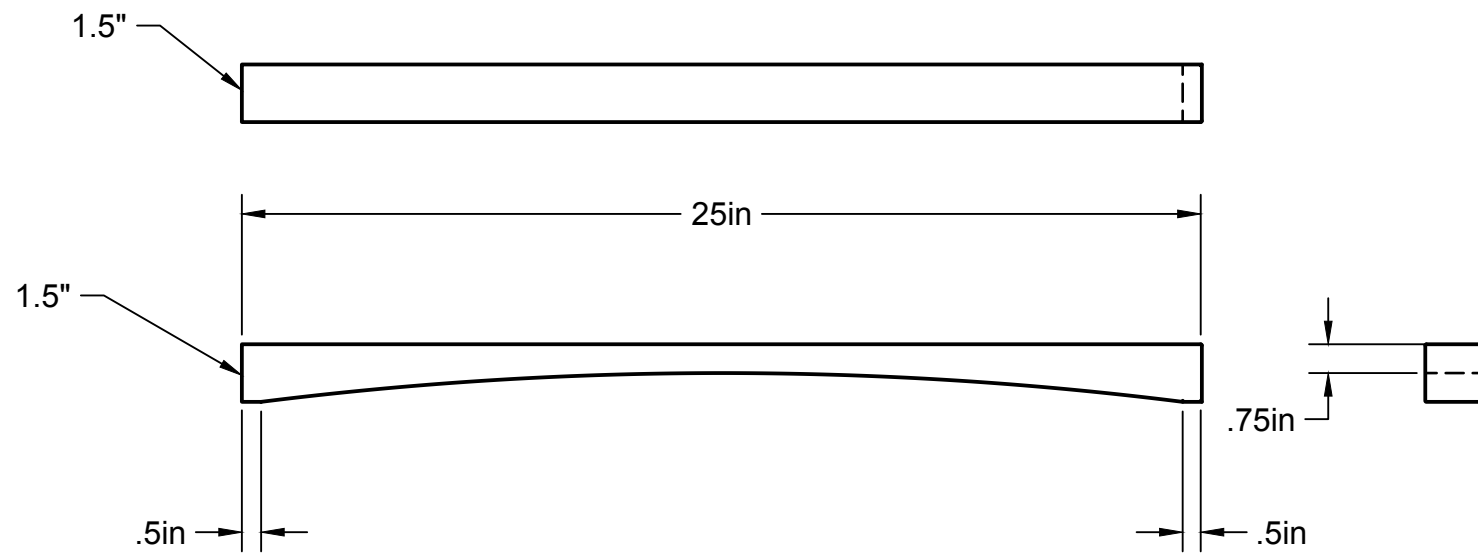
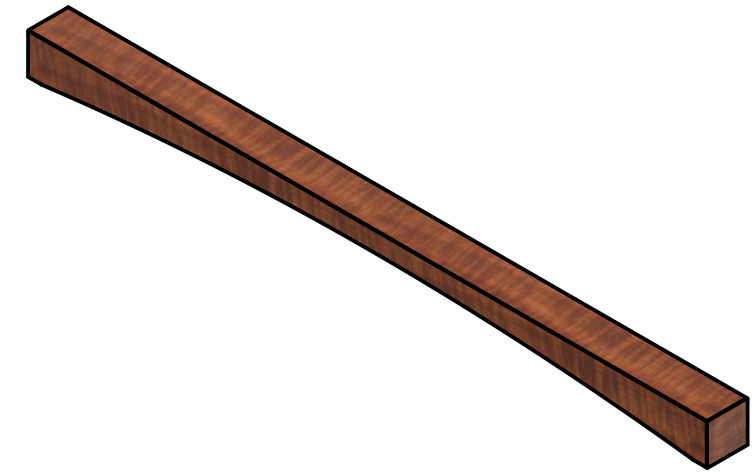




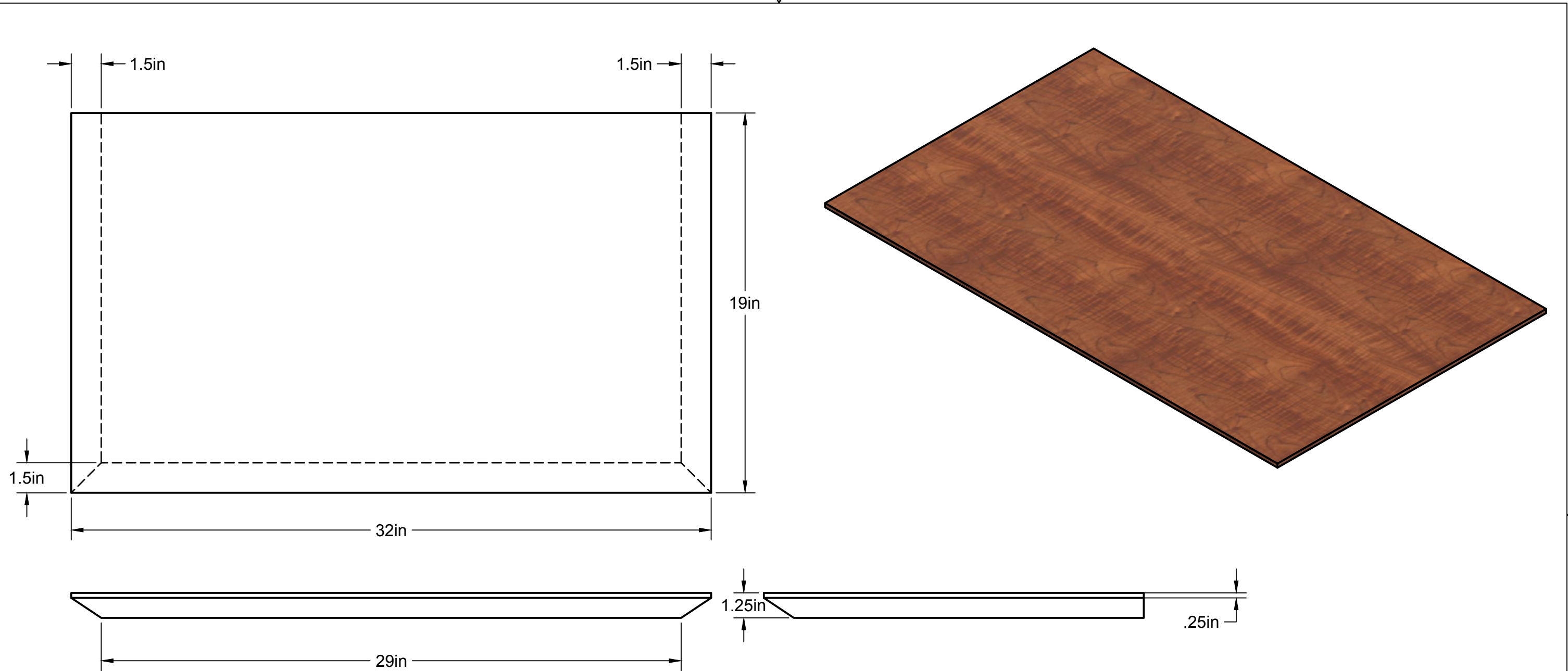
		PROJECT		
		<b>Overall Drawing</b>		
		TITLE		
		<b>Chest of Drawers</b>		
APPROVED	SIZE	CODE	DWG NO	REV
CHECKED	B			
DRAWN	Mel Morris	7/13/18	SCALE 1:10	WEIGHT
			SHEET 1/1	



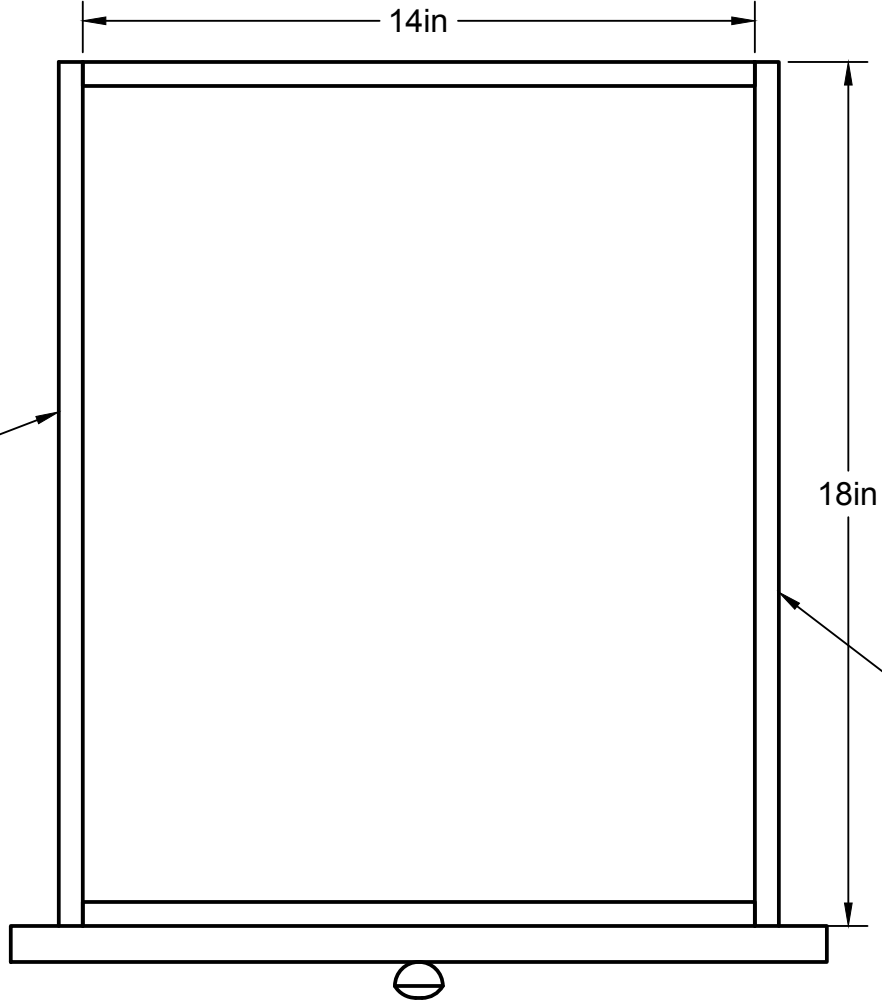
		PROJECT		
		<b>Leg</b>		
		TITLE		
		<b>Chest of Drawers</b>		
APPROVED		SIZE	CODE	DWG NO
CHECKED		B		
DRAWN	Mel Morris	7/13/18	SCALE 1:8	WEIGHT
				SHEET 1/1
				REV



		PROJECT		
		<b>Stretcher</b>		
		TITLE		
		<b>Chest of Drawers</b>		
APPROVED	SIZE	CODE	DWG NO	REV
CHECKED	B			
DRAWN	Mel Morris	7/13/18	SCALE 1:5	WEIGHT
			SHEET 1/1	

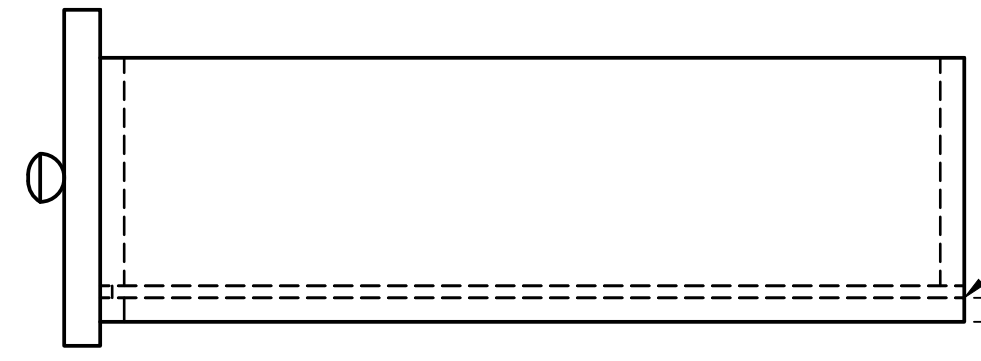
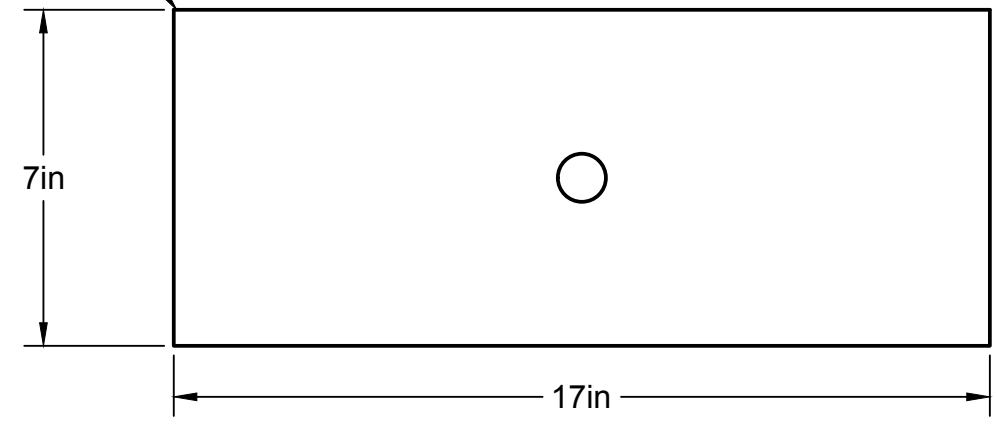


		PROJECT			
		<b>Top</b>			
		TITLE			
		<b>Chest of Drawers</b>			
APPROVED	SIZE	CODE	DWG NO	REV	
CHECKED	B				
DRAWN	Mel Morris	7/13/18	SCALE 1:5	WEIGHT	
			SHEET 1/1		

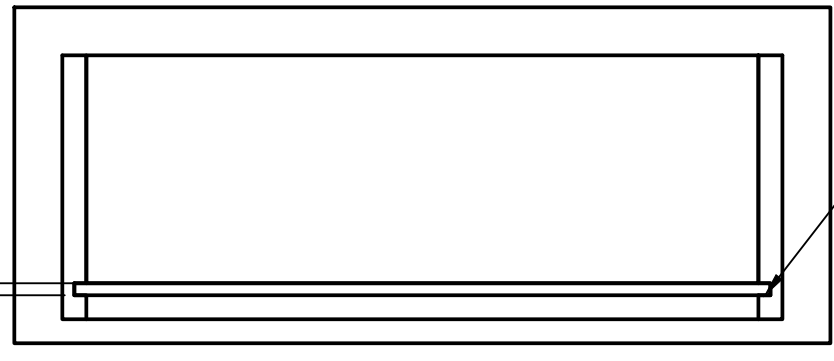


Sides match drawer slide length

Size front according to the opening



Drawer bottom dado must be  $\frac{1}{2}$ " from the bottom of the box to work with Blum slides



Slot or remove this portion of the drawer box for Blum slides

		PROJECT			
		<b>Standard Blum Drawer</b>			
		TITLE			
		<b>Drawer-blum</b>			
APPROVED	SIZE	CODE	DWG NO	REV	
CHECKED	B				
DRAWN	Mel Morris	7/13/18	SCALE 1:4	WEIGHT	
			SHEET 1/1		

