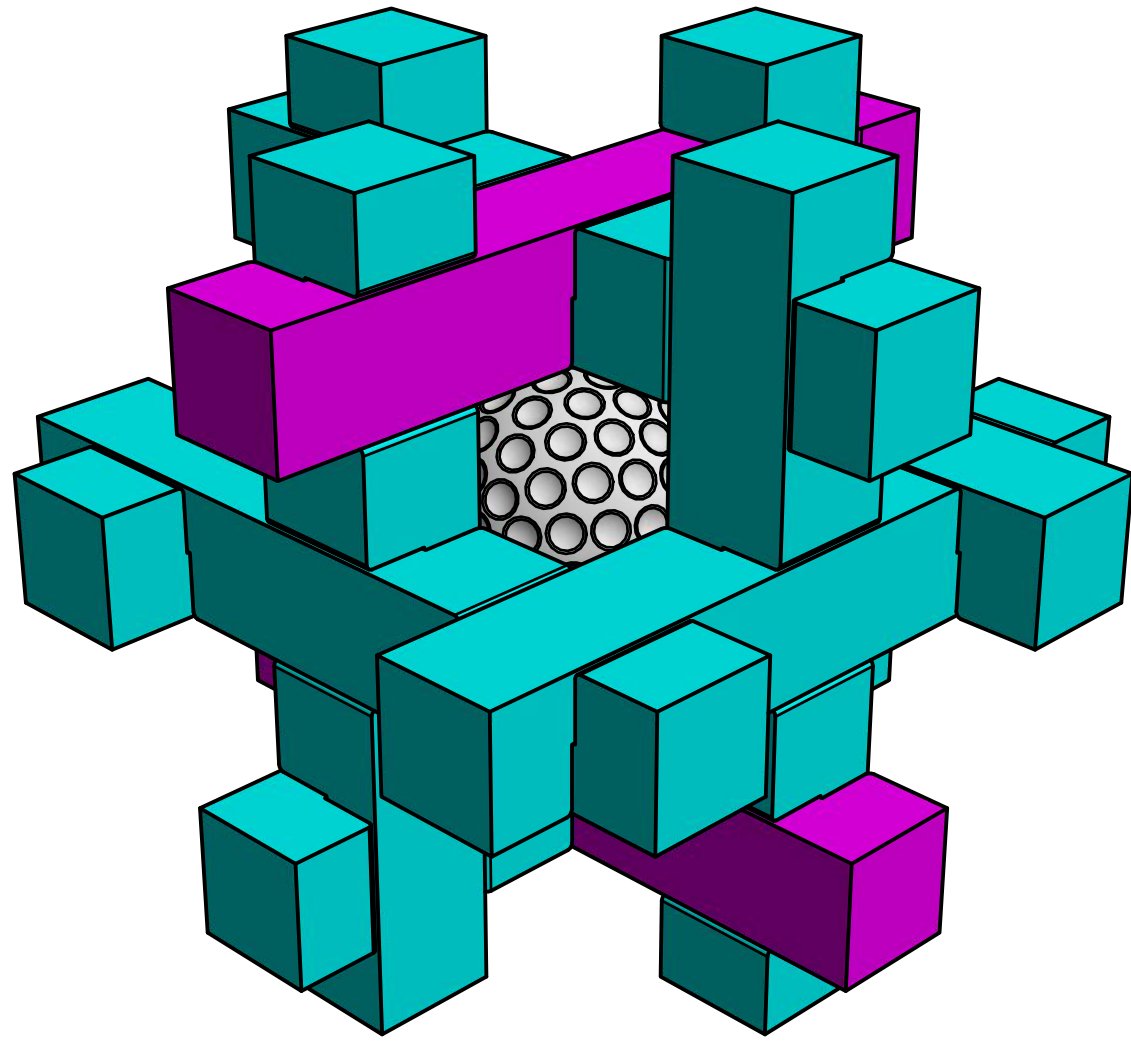
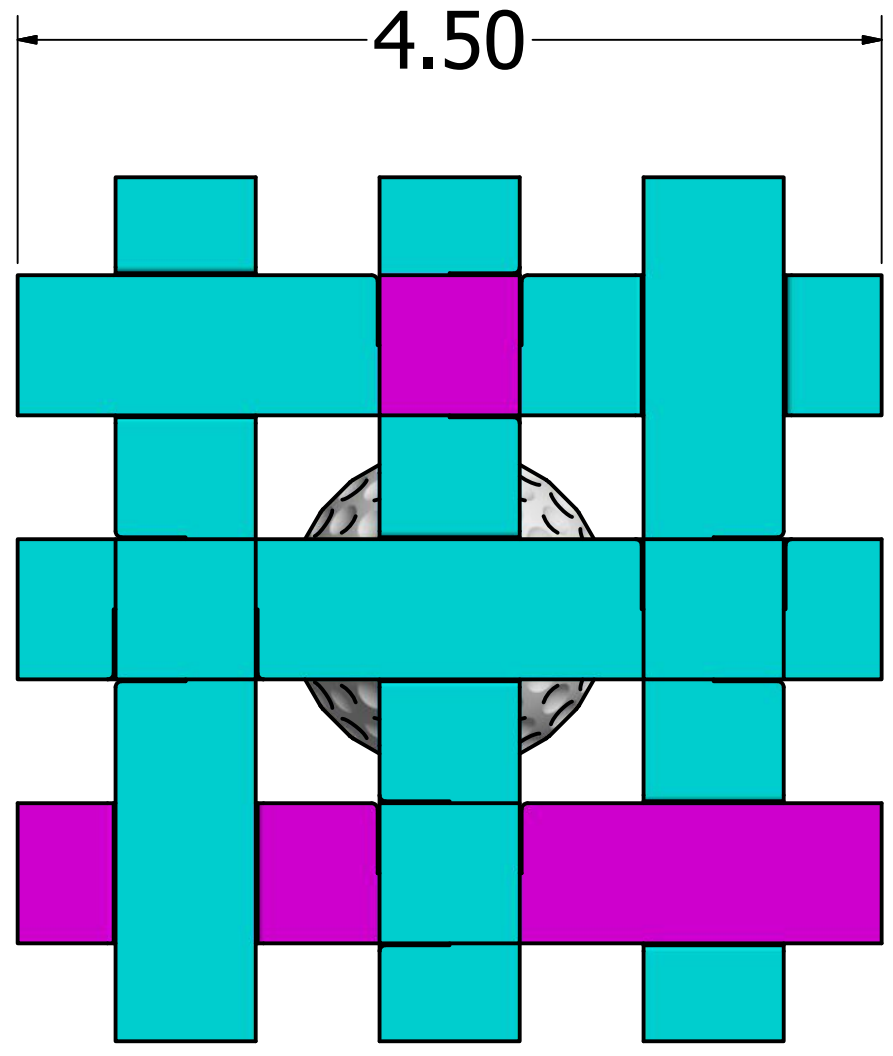


8 7 6 5 4 3 2 1

D

D

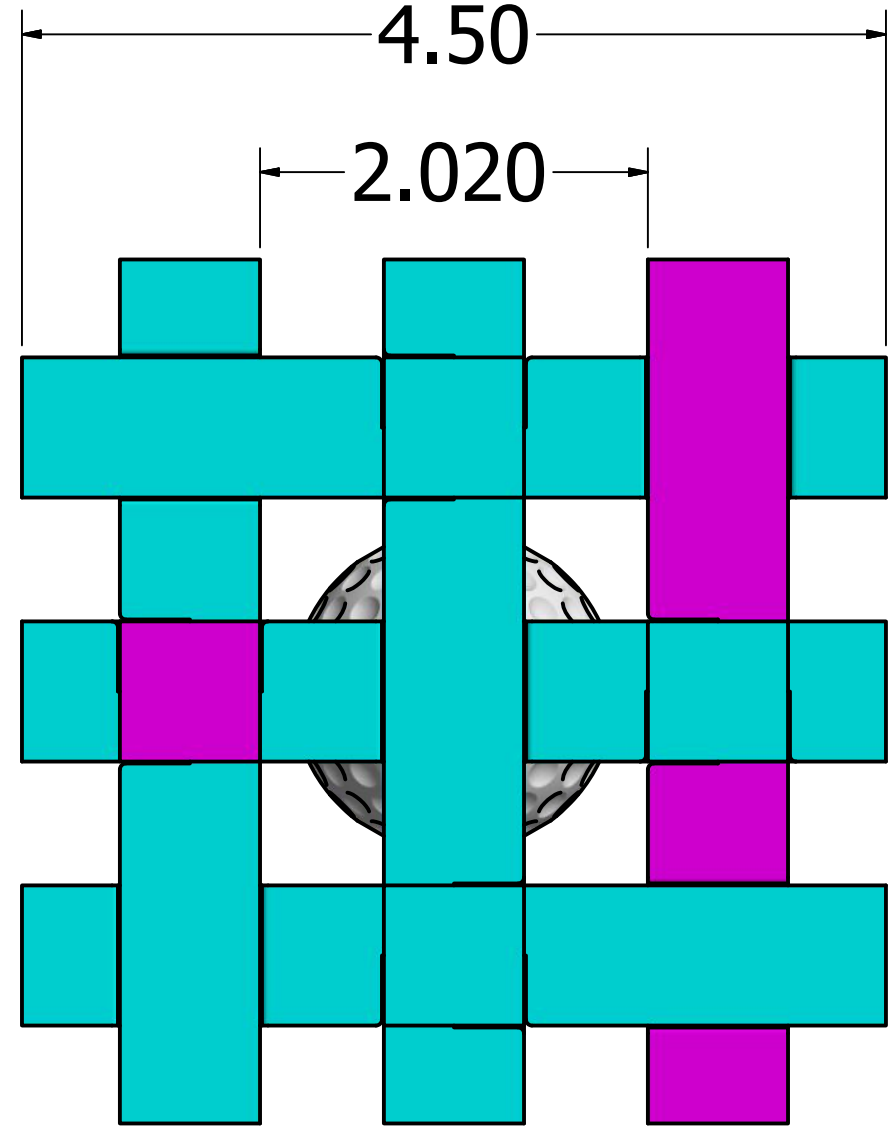
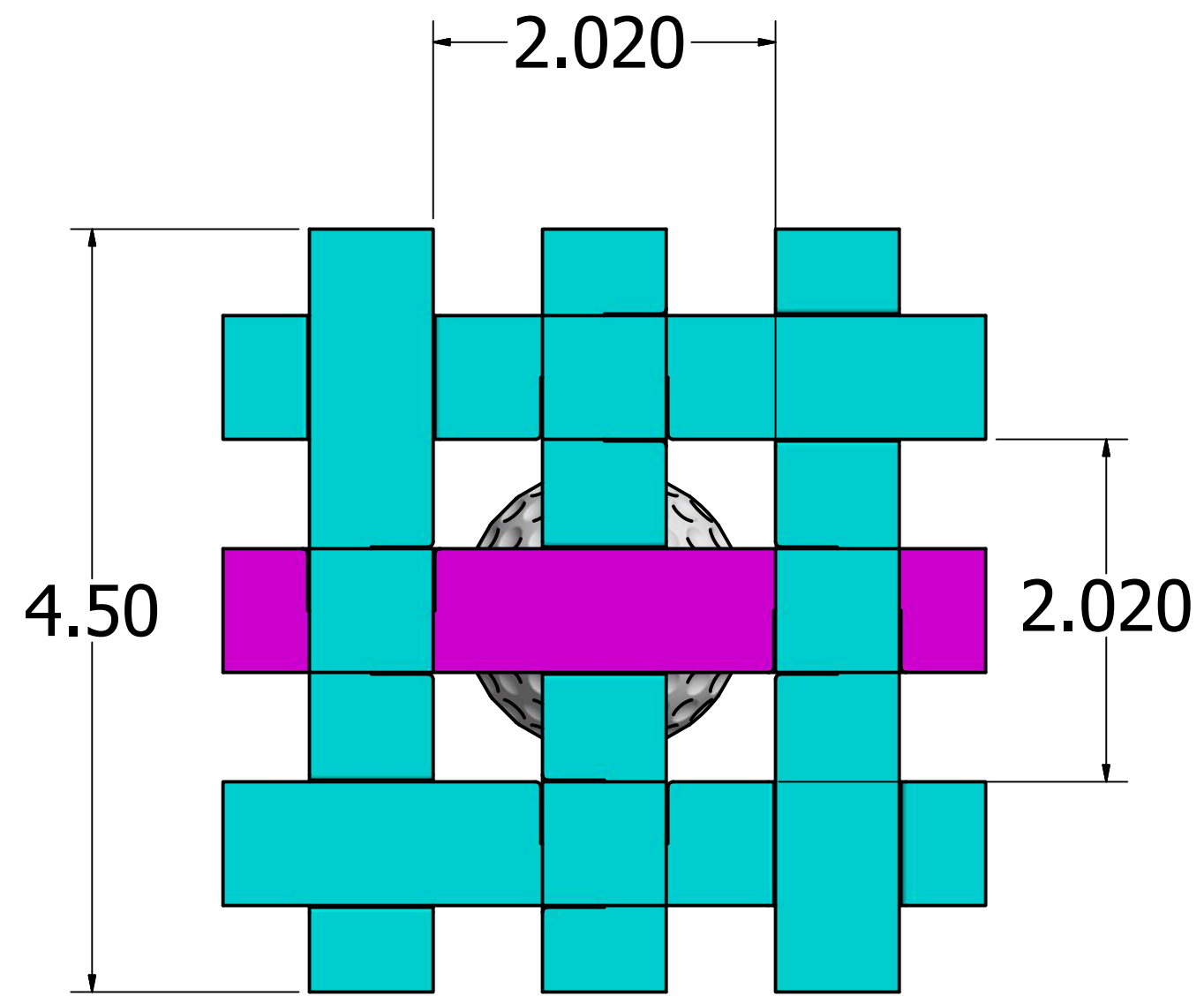


C

C

B

B

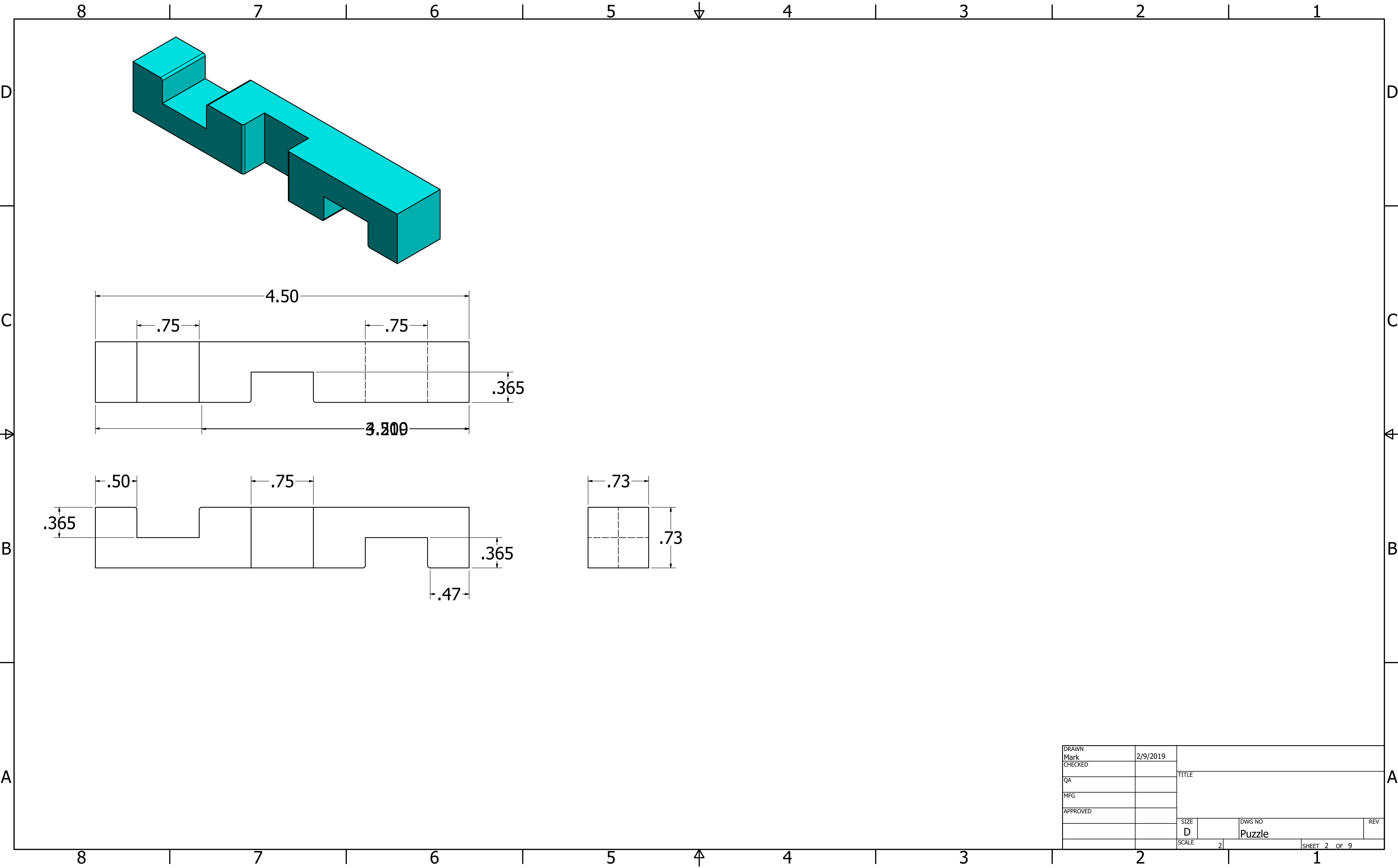


A

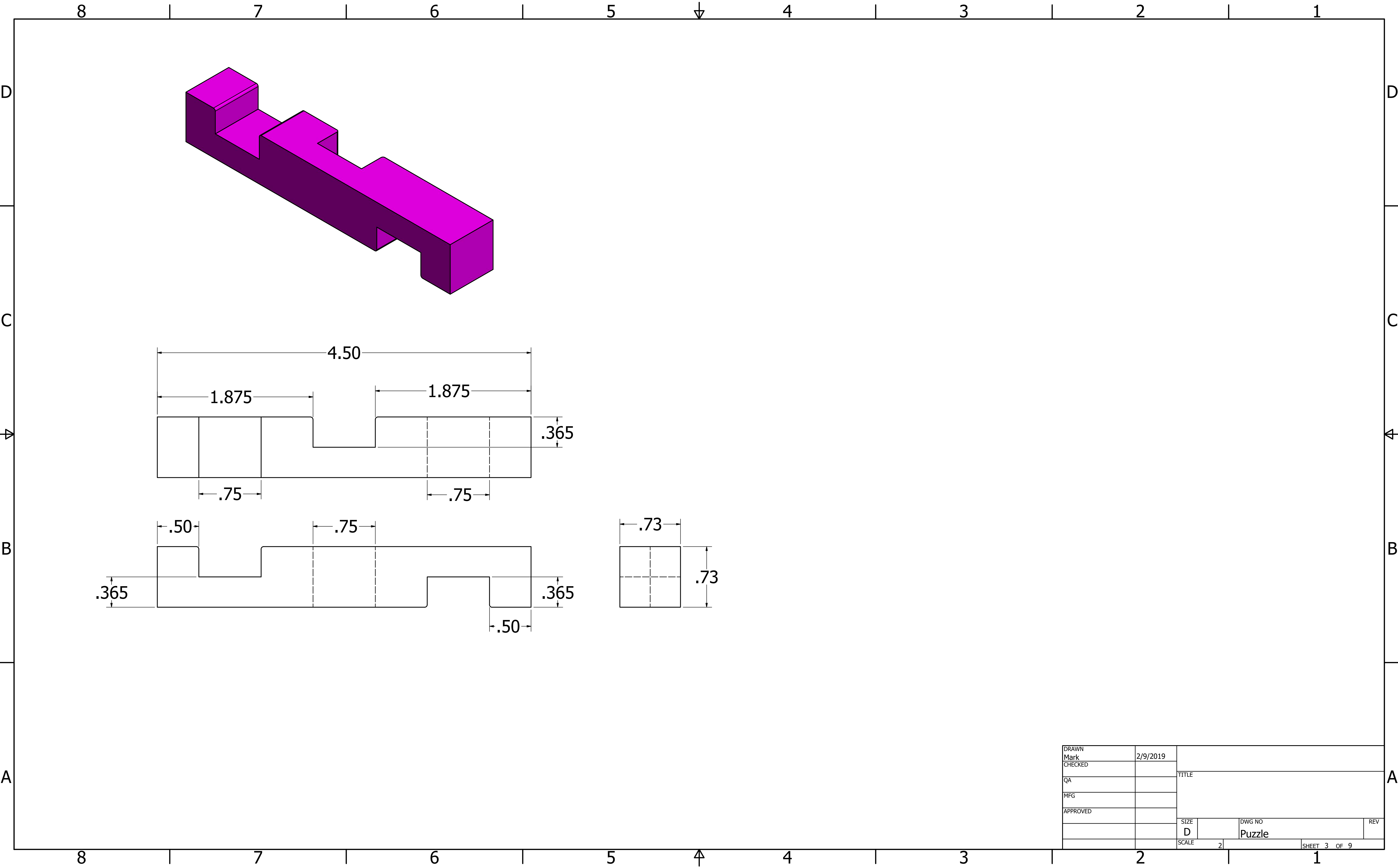
A

8 7 6 5 4 3 2 1

|          |      |          |       |        |              |
|----------|------|----------|-------|--------|--------------|
| DRAWN    | Mark | 2/9/2019 |       |        |              |
| CHECKED  |      |          | TITLE |        |              |
| QA       |      |          |       |        |              |
| MFG      |      |          |       |        |              |
| APPROVED |      |          |       |        |              |
|          |      |          | SIZE  | DWG NO | REV          |
|          |      |          | D     | Puzzle |              |
|          |      |          | SCALE | 1 : 1  | SHEET 1 OF 9 |



|          |          |       |        |              |
|----------|----------|-------|--------|--------------|
| DRAWN    | 2/9/2019 |       |        |              |
| CHECKED  |          | TITLE |        |              |
| QA       |          |       |        |              |
| MFG      |          |       |        |              |
| APPROVED |          |       |        |              |
|          |          | SIZE  | DWG NO | REV          |
|          |          | D     | Puzzle |              |
|          |          | SCALE | 2      | SHEET 2 OF 9 |



|          |          |       |        |              |
|----------|----------|-------|--------|--------------|
| DRAWN    | 2/9/2019 |       |        |              |
| Mark     |          | TITLE |        |              |
| CHECKED  |          |       |        |              |
| QA       |          |       |        |              |
| MFG      |          |       |        |              |
| APPROVED |          |       |        |              |
|          |          | SIZE  | DWG NO | REV          |
|          |          | D     | Puzzle |              |
|          |          | SCALE | 2      | SHEET 3 OF 9 |

8 7 6 5 4 3 2 1

D

D

C

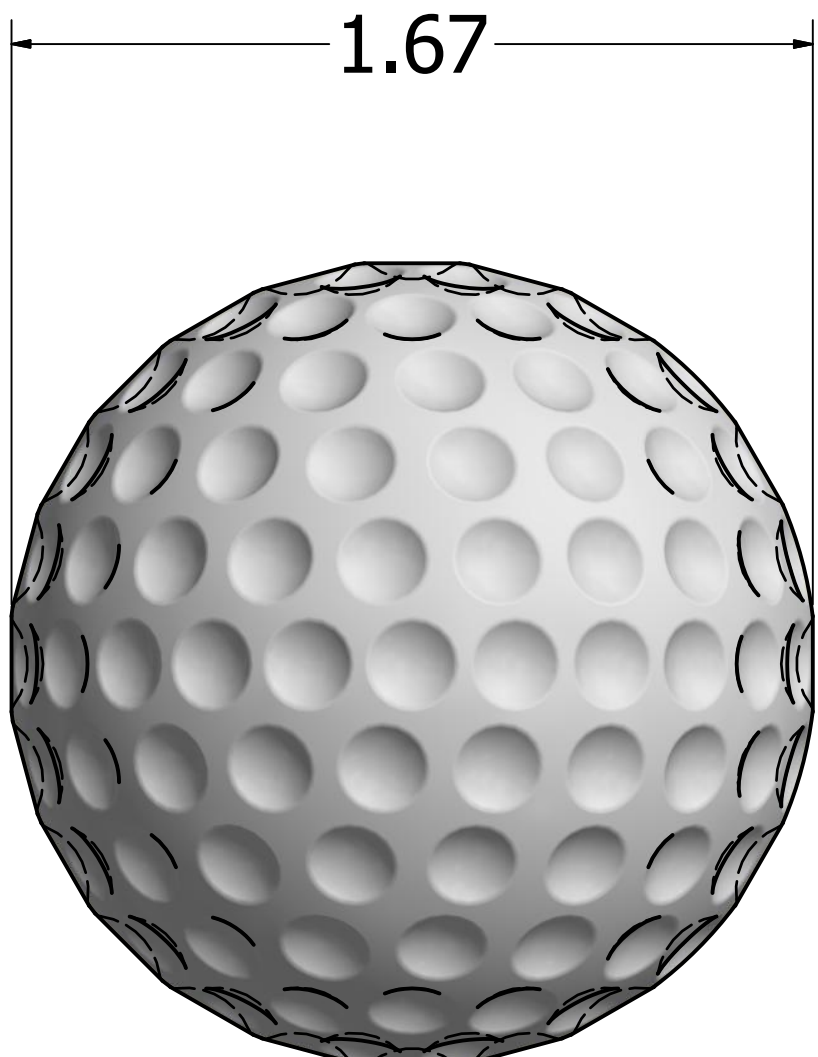
C

B

B

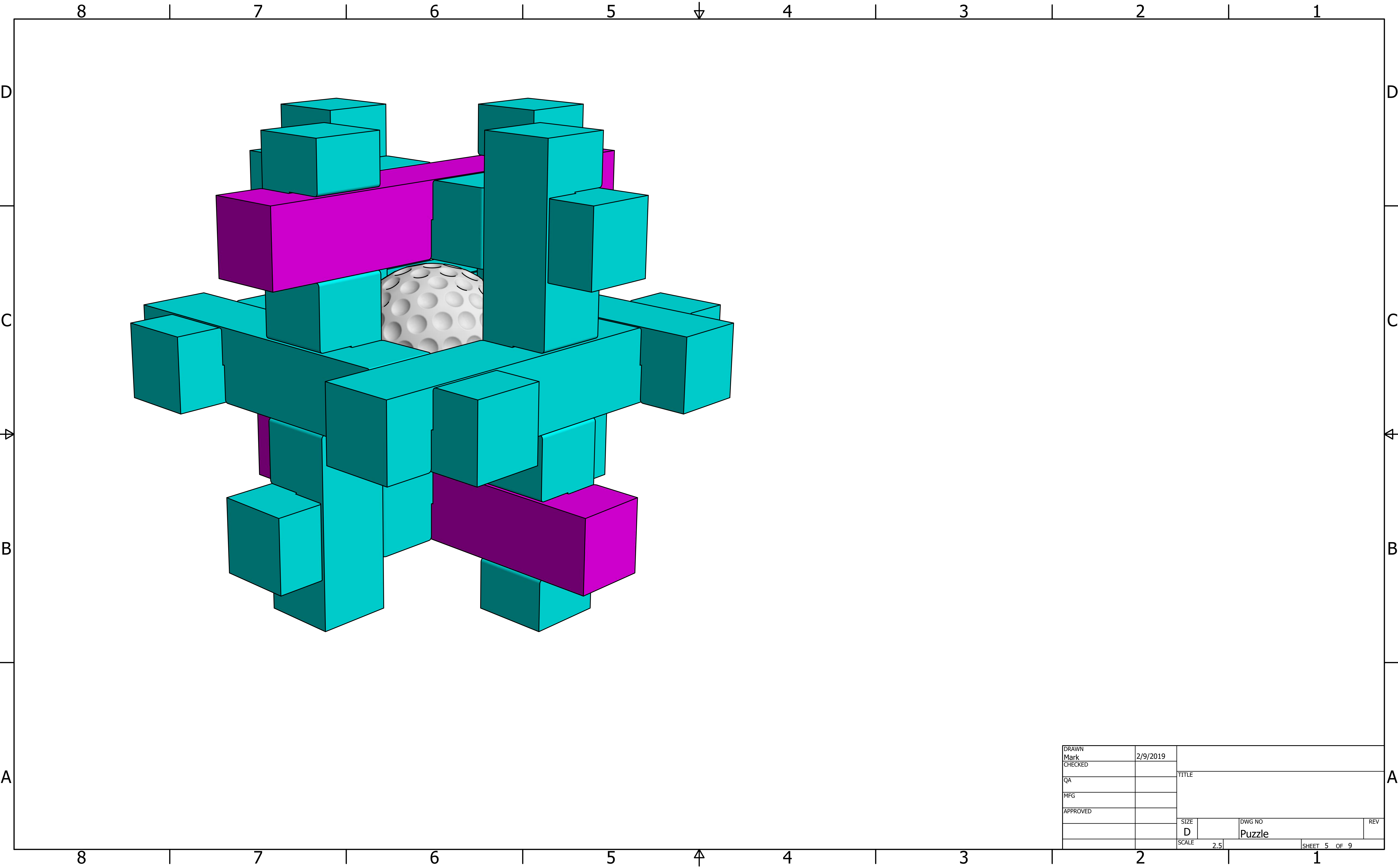
A

A

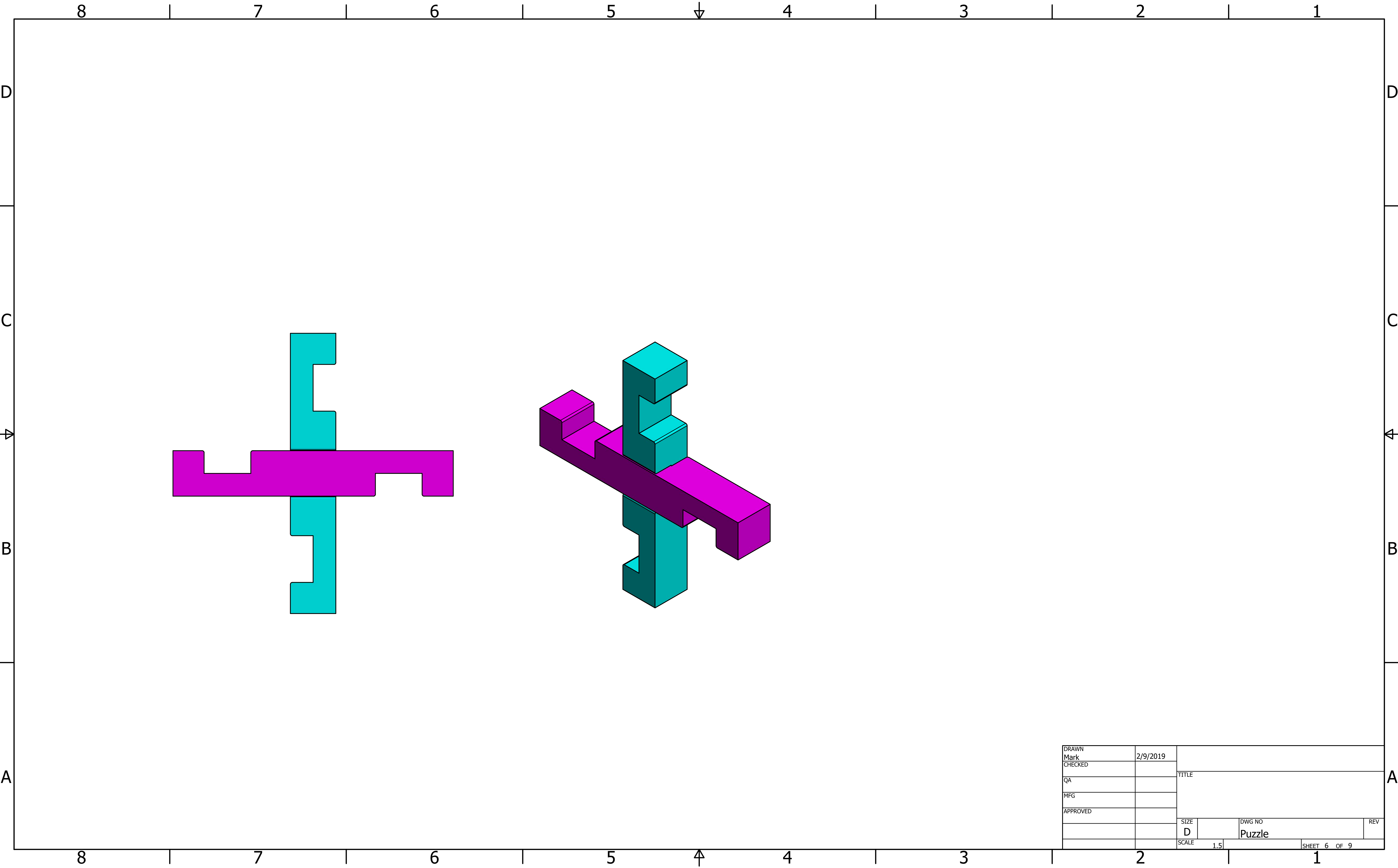


|          |          |       |        |              |
|----------|----------|-------|--------|--------------|
| DRAWN    | 2/9/2019 |       |        |              |
| Mark     |          | TITLE |        |              |
| CHECKED  |          |       |        |              |
| QA       |          |       |        |              |
| MFG      |          |       |        |              |
| APPROVED |          |       |        |              |
|          |          | SIZE  | DWG NO | REV          |
|          |          | D     | Puzzle |              |
|          |          | SCALE | 2.5    | SHEET 4 OF 9 |

8 7 6 5 4 4 3 2 1

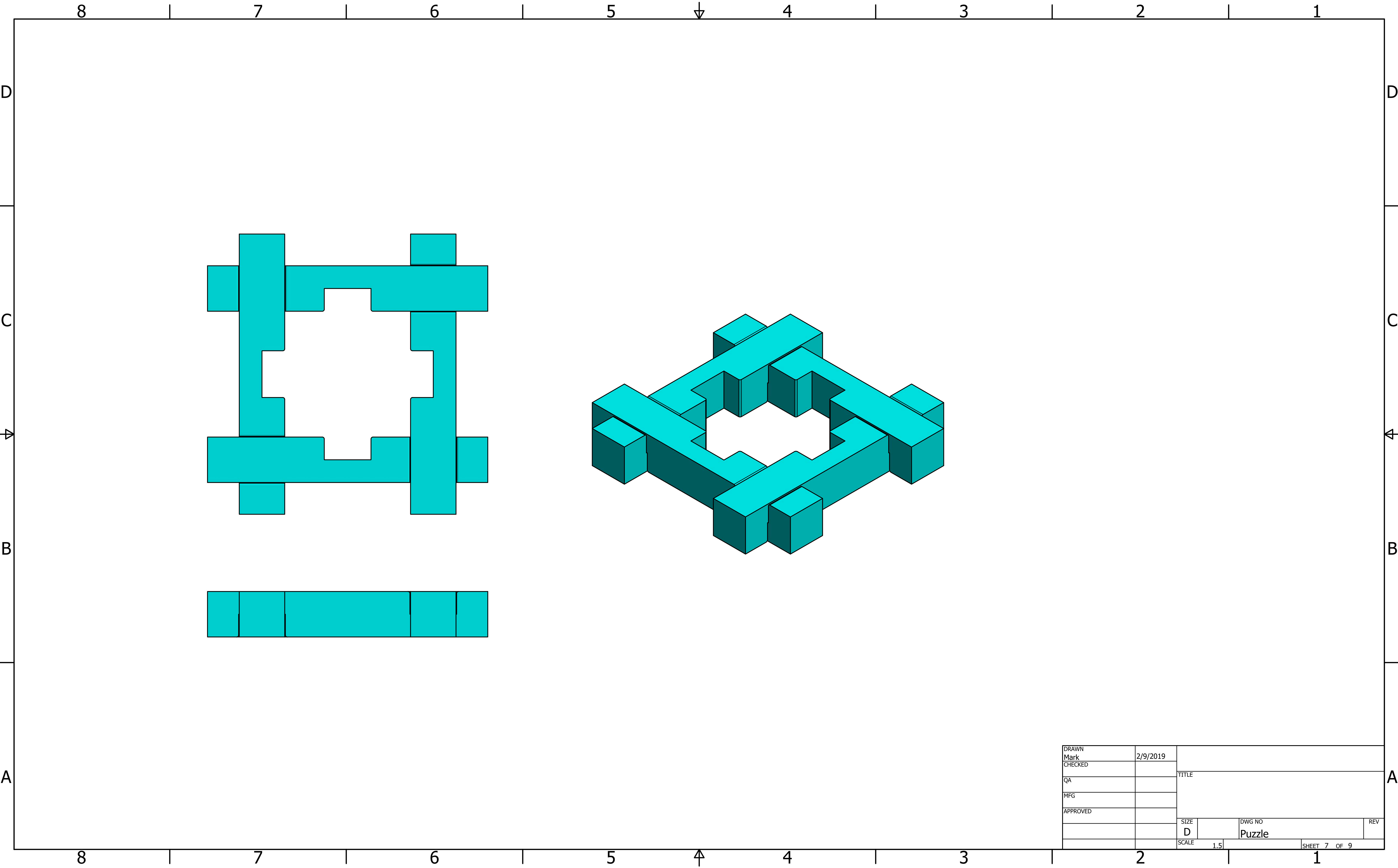


|          |          |       |        |              |
|----------|----------|-------|--------|--------------|
| DRAWN    | 2/9/2019 |       |        |              |
| CHECKED  |          | TITLE |        |              |
| QA       |          |       |        |              |
| MFG      |          |       |        |              |
| APPROVED |          |       |        |              |
|          |          | SIZE  | DWG NO | REV          |
|          |          | D     | Puzzle |              |
|          |          | SCALE | 2.5    | SHEET 5 OF 9 |

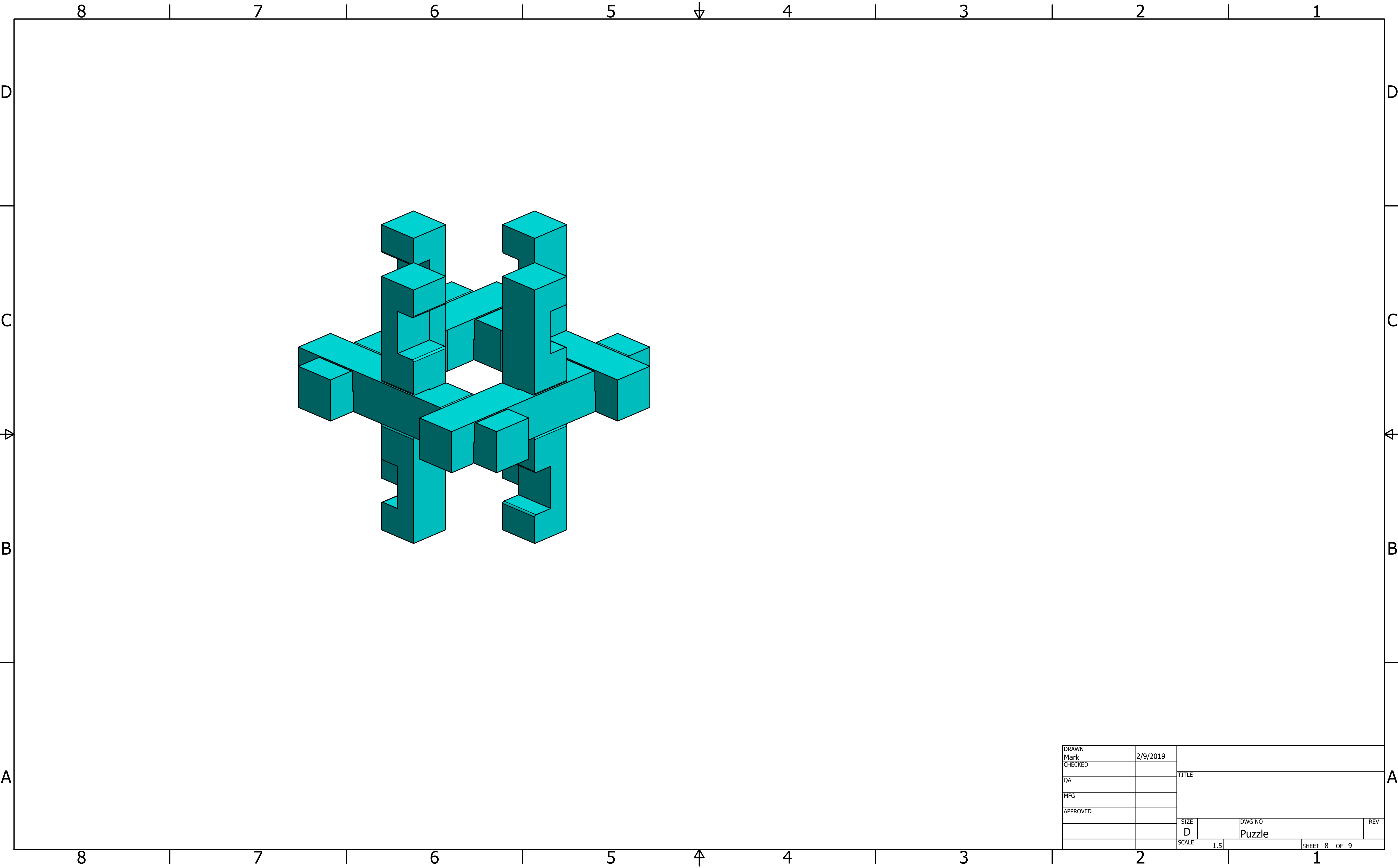


|          |          |       |        |              |
|----------|----------|-------|--------|--------------|
| DRAWN    | 2/9/2019 |       |        |              |
| CHECKED  |          | TITLE |        |              |
| QA       |          |       |        |              |
| MFG      |          |       |        |              |
| APPROVED |          |       |        |              |
|          |          | SIZE  | DWG NO | REV          |
|          |          | D     | Puzzle |              |
|          |          | SCALE | 1.5    | SHEET 6 OF 9 |





|          |          |       |        |              |
|----------|----------|-------|--------|--------------|
| DRAWN    | 2/9/2019 |       |        |              |
| Mark     |          | TITLE |        |              |
| CHECKED  |          |       |        |              |
| QA       |          |       |        |              |
| MFG      |          |       |        |              |
| APPROVED |          | SIZE  | DWG NO | REV          |
|          |          | D     | Puzzle |              |
|          |          | SCALE | 1.5    | SHEET 7 OF 9 |



|          |          |       |        |              |
|----------|----------|-------|--------|--------------|
| DRAWN    | 2/9/2019 |       |        |              |
| CHECKED  |          | TITLE |        |              |
| QA       |          |       |        |              |
| MFG      |          |       |        |              |
| APPROVED |          |       |        |              |
|          |          | SIZE  | DWG NO | REV          |
|          |          | D     | Puzzle |              |
|          |          | SCALE | 1.5    | SHEET 8 OF 9 |



8 7 6 5 4 3 2 1

D

D

C

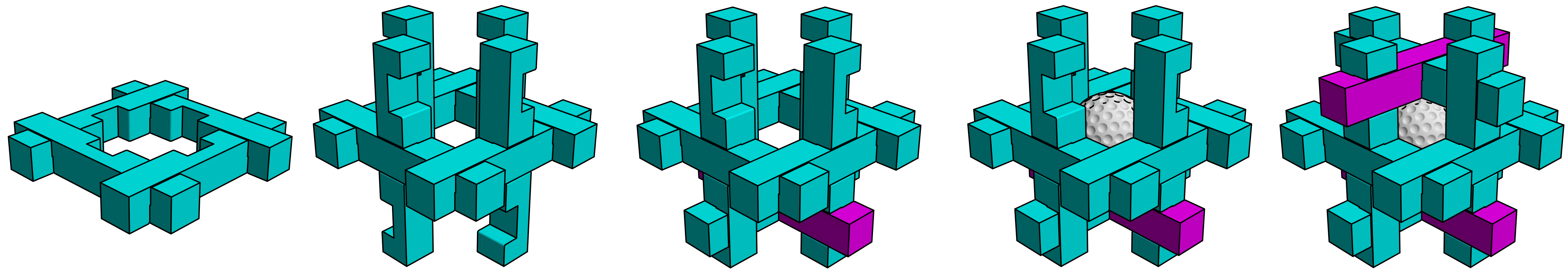
C

B

B

A

A



|          |          |       |        |              |
|----------|----------|-------|--------|--------------|
| DRAWN    | 2/9/2019 |       |        |              |
| CHECKED  |          | TITLE |        |              |
| QA       |          |       |        |              |
| MFG      |          |       |        |              |
| APPROVED |          |       |        |              |
|          |          | SIZE  | DWG NO | REV          |
|          |          | D     | Puzzle |              |
|          |          | SCALE | .75    | SHEET 9 OF 9 |

8 7 6 5 4 3 2 1